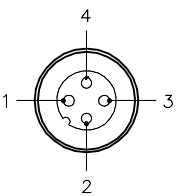
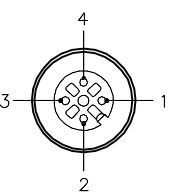
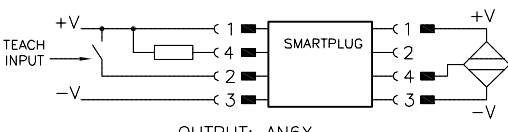
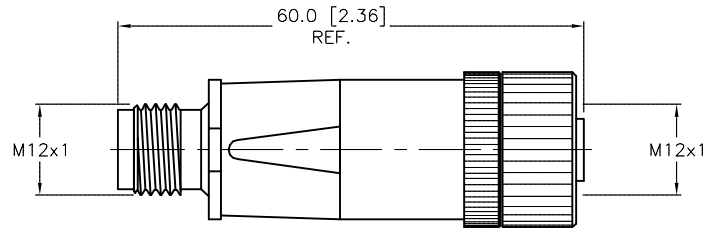
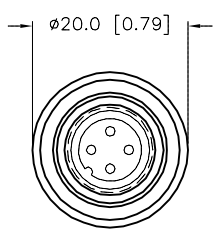
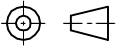


MALE END VIEW	FEMALE END VIEW	WIRING DIAGRAM	SPECIFICATIONS																									
		 <p data-bbox="840 227 987 251">OUTPUT: AN6X</p> <p data-bbox="703 324 1123 349">SHORT-CIRCUIT AND OVERLOAD PROTECTED</p>	<table border="1"> <tr><td>LOGIC (FUNCTION)</td><td>PULSE OR INTERVAL COUNTER</td></tr> <tr><td>CONTACT MATERIAL/PLATING</td><td>GOLD-PLATED BRASS</td></tr> <tr><td>HOUSING MATERIAL</td><td>PLASTIC PBT/PA</td></tr> <tr><td>RATED CURRENT [A]</td><td>400 mA</td></tr> <tr><td>RATED VOLTAGE [V]</td><td>10-30 V DC</td></tr> <tr><td>LED FUNCTION</td><td>DISPLAY - RED</td></tr> <tr><td>OWN CURRENT CONSUMPTION</td><td><10 mA</td></tr> <tr><td>INPUT RESISTANCE</td><td>>10 kΩ</td></tr> <tr><td>MAX. INPUT FREQUENCY</td><td>10 kHz</td></tr> <tr><td>MIN. RESPONSE TIME</td><td>0.1 ms</td></tr> <tr><td>TEMPERATURE RATING</td><td>-20°C to +60°C (-4°F to +140°F)</td></tr> <tr><td>PROTECTION CLASS</td><td>IEC IP67</td></tr> </table>	LOGIC (FUNCTION)	PULSE OR INTERVAL COUNTER	CONTACT MATERIAL/PLATING	GOLD-PLATED BRASS	HOUSING MATERIAL	PLASTIC PBT/PA	RATED CURRENT [A]	400 mA	RATED VOLTAGE [V]	10-30 V DC	LED FUNCTION	DISPLAY - RED	OWN CURRENT CONSUMPTION	<10 mA	INPUT RESISTANCE	>10 kΩ	MAX. INPUT FREQUENCY	10 kHz	MIN. RESPONSE TIME	0.1 ms	TEMPERATURE RATING	-20°C to +60°C (-4°F to +140°F)	PROTECTION CLASS	IEC IP67	
LOGIC (FUNCTION)	PULSE OR INTERVAL COUNTER																											
CONTACT MATERIAL/PLATING	GOLD-PLATED BRASS																											
HOUSING MATERIAL	PLASTIC PBT/PA																											
RATED CURRENT [A]	400 mA																											
RATED VOLTAGE [V]	10-30 V DC																											
LED FUNCTION	DISPLAY - RED																											
OWN CURRENT CONSUMPTION	<10 mA																											
INPUT RESISTANCE	>10 kΩ																											
MAX. INPUT FREQUENCY	10 kHz																											
MIN. RESPONSE TIME	0.1 ms																											
TEMPERATURE RATING	-20°C to +60°C (-4°F to +140°F)																											
PROTECTION CLASS	IEC IP67																											



SOURCE DRAWING - FOR REFERENCE ONLY

RELATED DOCUMENTS 1. 2. 3. 4.	3RD ANGLE PROJECTION 	THIS DRAWING IS CONFIDENTIAL AND THE PROPERTY OF TURCK INC. USE OF THIS DOCUMENT WITHOUT WRITTEN PERMISSION IS PROHIBITED.	3000 CAMPUS DRIVE MINNEAPOLIS, MN 55441 1-800-544-7769 (763) 553-7300 (763) 553-0708 fax www.turck.us
MATERIAL SEE SPECIFICATIONS	ALL DIMENSIONS DISPLAYED ON THIS DRAWING ARE FOR REFERENCE ONLY	DRFT JBJ DATE 08/27/01 DSGN SCALE 1=1.0	DESCRIPTION SPC1-AN6X
FINISH SEE SPECIFICATIONS	CONTACT TURCK FOR MORE INFORMATION	UNIT OF MEASUREMENT MILLIMETER [INCH] DO NOT SCALE THIS DRAWING	IDENTIFICATION NO. A0600 REV A FILE: A0600 SHEET 1 OF 1

A	DRAWING RELEASE	JBJ 09/30/02		
REV	DESCRIPTION	BY	DATE	ECO NO.